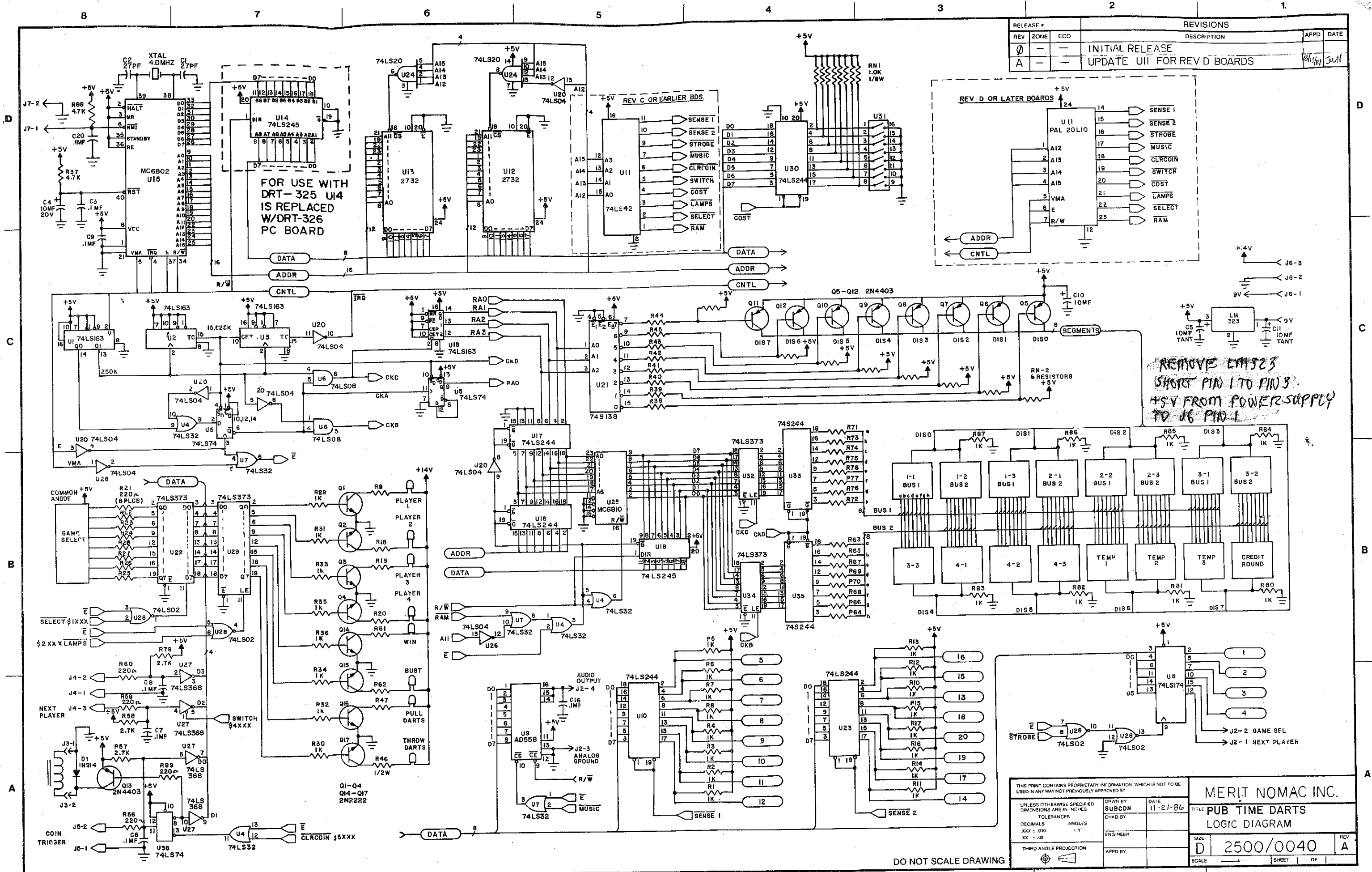


RELEASE #			REVISIONS		
REV	ZONE	ECO	DESCRIPTION	APPD	DATE
0	-	-	INITIAL RELEASE		
A	-	-	UPDATE UI1 FOR REV D BOARDS	6/1/86	JWH



THIS PRINT CONTAINS PROPRIETARY INFORMATION WHICH IS NOT TO BE USED IN ANY WAY NOT PREVIOUSLY APPROVED BY

UNLESS OTHERWISE SPECIFIED DIMENSIONS ARE IN INCHES TOLERANCES

DECIMALS ANGLES .XX - .010 .XX - .02

THIRD ANGLE PROJECTION

DRWING BY: SUBCON DATE: 11-21-86

ENGINEER: [blank]

APPD BY: [blank]

REV: A

SCALE: [blank]

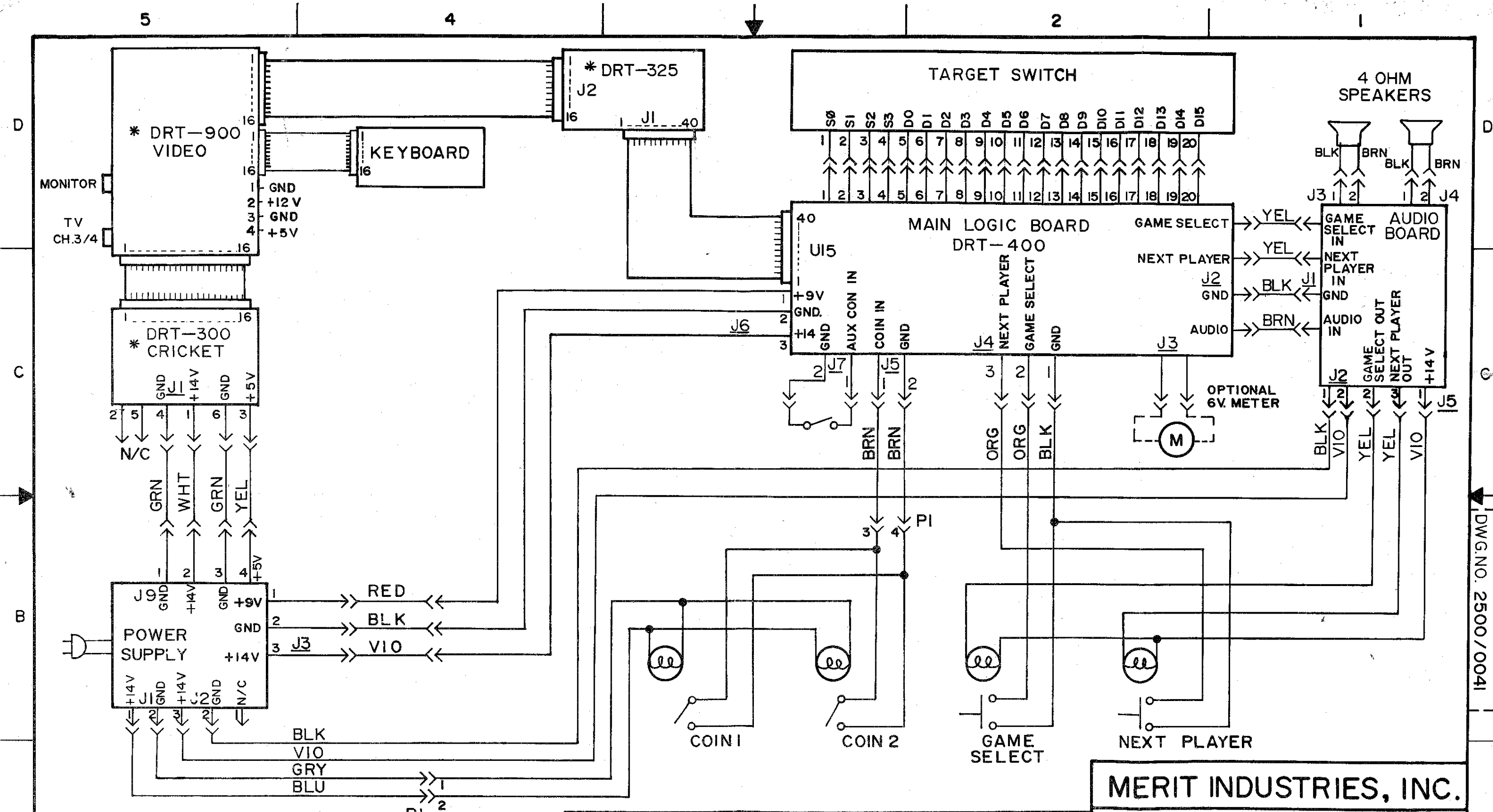
SHEET: 1 OF 1

MERIT NOMAC INC.

TITLE: PUB TIME DARTS LOGIC DIAGRAM

SIZE: D 2500/0040

DO NOT SCALE DRAWING



**NOTES:** 1. RIBBON CABLE WIRING  
 PIN 1 — PIN 1  
 PIN 2 — PIN 2  
 ETC.  
 2. (\*) OPTIONAL FOR DELUXE GAMES ONLY.

REVISIONS						
ZONE	LTR	ECN. NO.	DESCRIPTION — SEE. ECN.	CHK	DATE	APPROVED
—	Ø/A	—	OBSOLETE			
—	B	—	ADDED DRT-900		9-22-87	11-9-87

**MERIT INDUSTRIES, INC.**

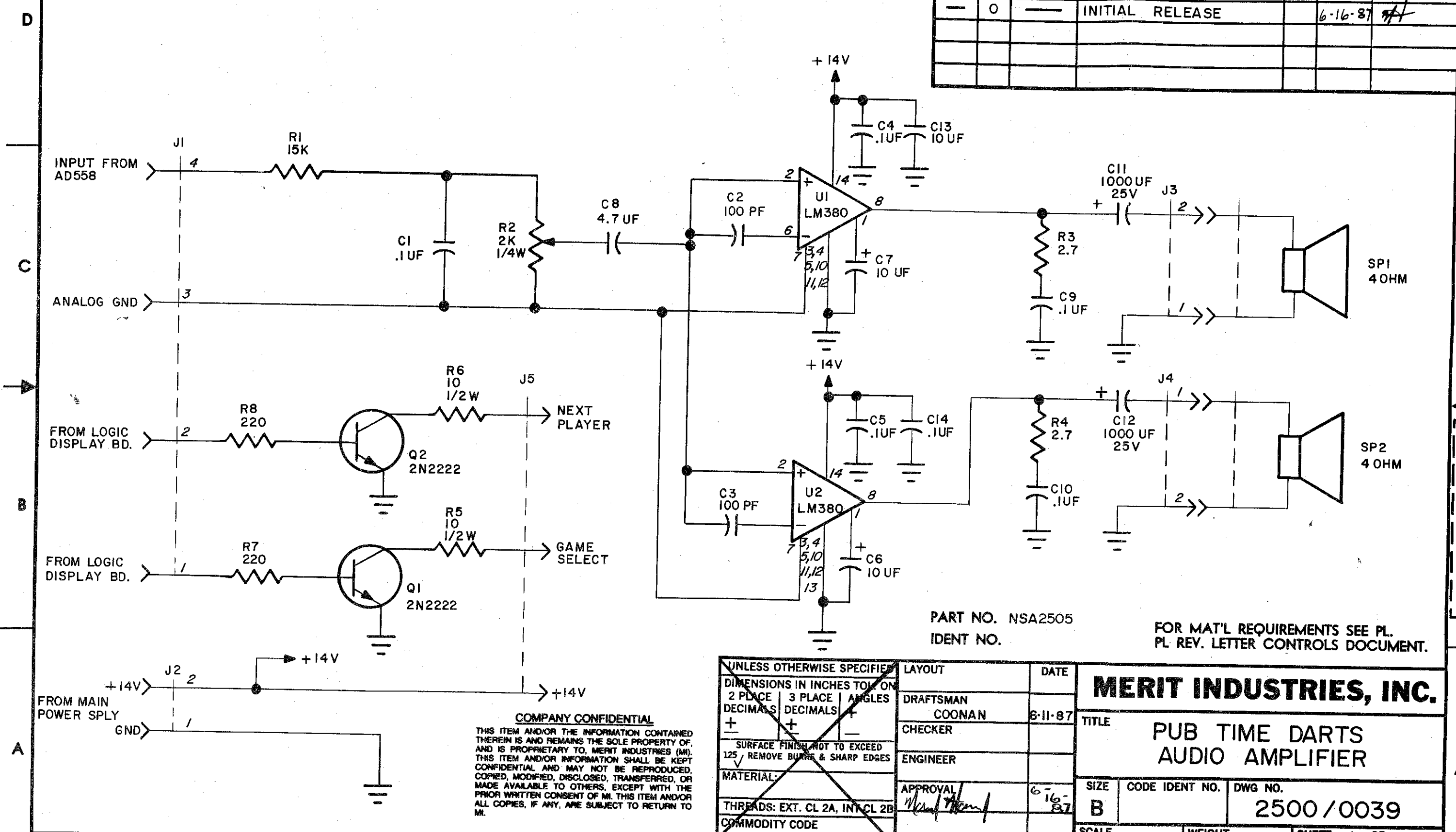
TITLE: PUB TIME DARTS INTERCONNECTION DIAGRAM

SIZE B	CODE IDENT. NO.	DWG. NO. 2500/0041
SCALE	WEIGHT	SHEET 1 OF 1

REV Ø A B

DWG. NO. 2500/0041

REVISIONS						
ZONE	LTR	ECN. NO.	DESCRIPTION — SEE. ECN	CHK	DATE	APPROVED
—	0	—	INITIAL RELEASE		6-16-87	<i>[Signature]</i>



PART NO. NSA2505  
IDENT NO.

FOR MAT'L REQUIREMENTS SEE PL.  
PL. REV. LETTER CONTROLS DOCUMENT.

**COMPANY CONFIDENTIAL**  
THIS ITEM AND/OR THE INFORMATION CONTAINED THEREIN IS AND REMAINS THE SOLE PROPERTY OF, AND IS PROPRIETARY TO, MERIT INDUSTRIES (MI). THIS ITEM AND/OR INFORMATION SHALL BE KEPT CONFIDENTIAL AND MAY NOT BE REPRODUCED, COPIED, MODIFIED, DISCLOSED, TRANSFERRED, OR MADE AVAILABLE TO OTHERS, EXCEPT WITH THE PRIOR WRITTEN CONSENT OF MI. THIS ITEM AND/OR ALL COPIES, IF ANY, ARE SUBJECT TO RETURN TO MI.

<p><b>UNLESS OTHERWISE SPECIFIED</b></p> <p>DIMENSIONS IN INCHES TO 1/16</p> <table border="1"> <tr> <td>2 PLACE DECIMALS</td> <td>3 PLACE DECIMALS</td> <td>ANGLES</td> </tr> <tr> <td>+</td> <td>+</td> <td>-</td> </tr> </table> <p>SURFACE FINISH NOT TO EXCEED 125 REMOVE BURRS &amp; SHARP EDGES</p> <p>MATERIAL:</p> <p>THREADS: EXT. CL 2A, INT. CL 2B</p> <p>COMMODITY CODE</p>	2 PLACE DECIMALS	3 PLACE DECIMALS	ANGLES	+	+	-	LAYOUT	DATE	<p><b>MERIT INDUSTRIES, INC.</b></p> <p>TITLE</p> <p>PUB TIME DARTS AUDIO AMPLIFIER</p> <p>SIZE B</p> <p>CODE IDENT NO.</p> <p>DWG NO. 2500/0039</p> <p>SCALE</p> <p>WEIGHT</p> <p>SHEET 1 OF 1</p>
	2 PLACE DECIMALS	3 PLACE DECIMALS	ANGLES						
	+	+	-						
	DRAFTSMAN	6-11-87							
CHECKER									
ENGINEER									
APPROVAL	6-16-87								

DWG. NO. 2500/0039

