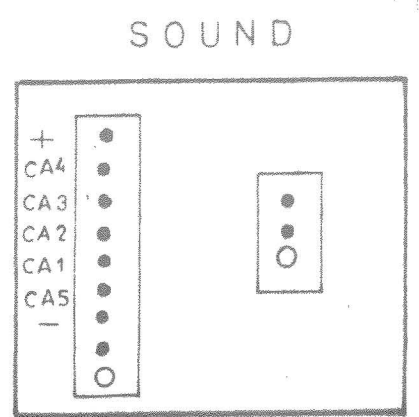
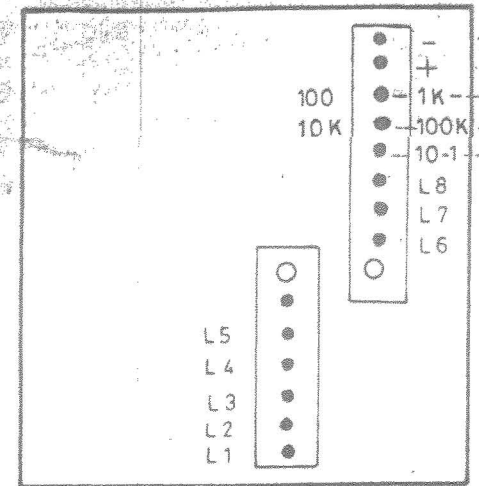
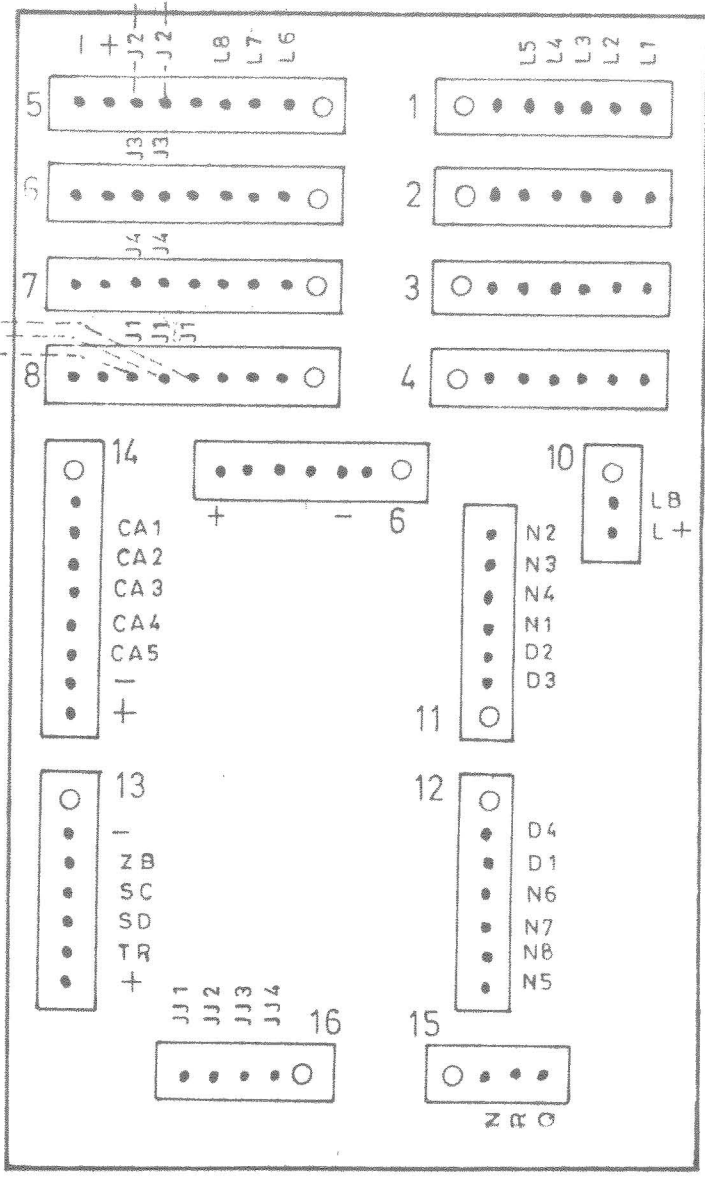


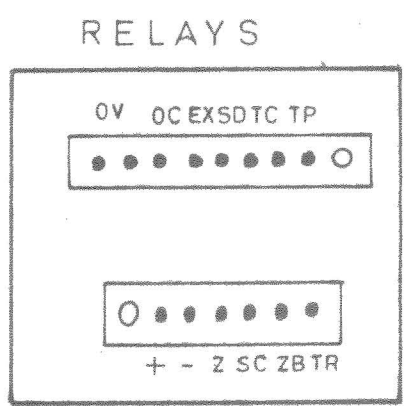
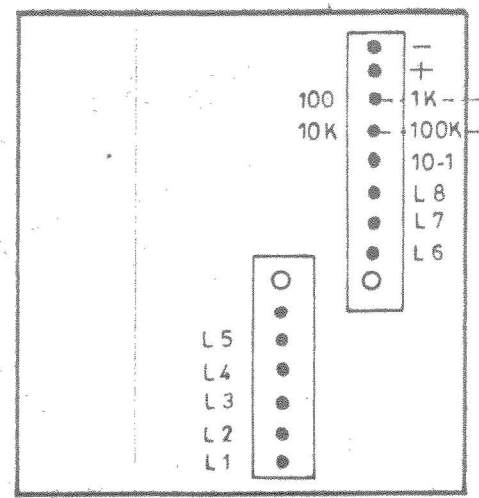
DISPLAYS 1st



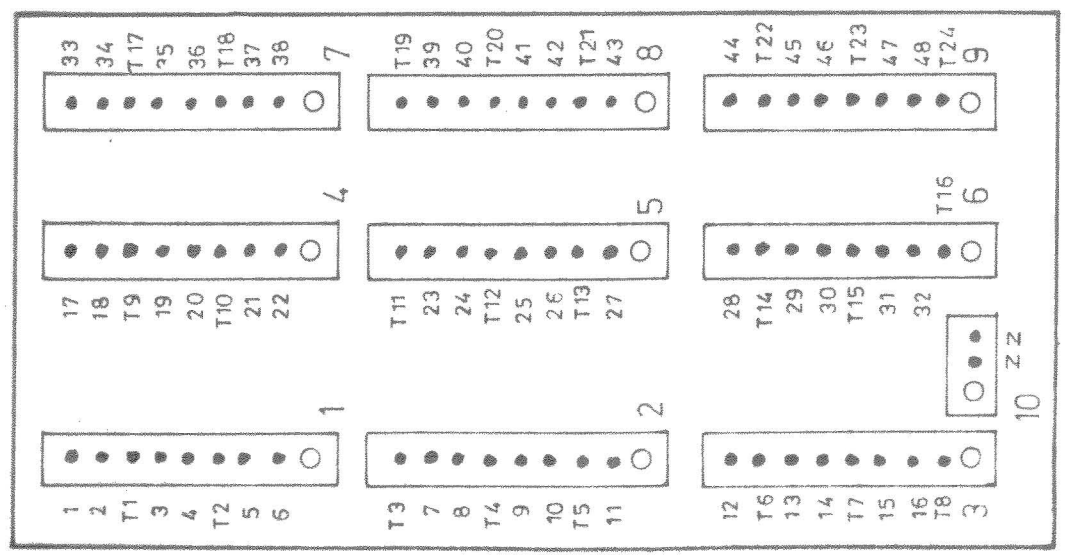
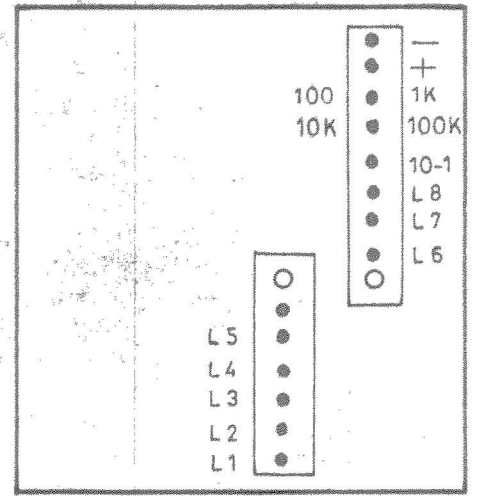
DECODER



DISPLAYS 2nd

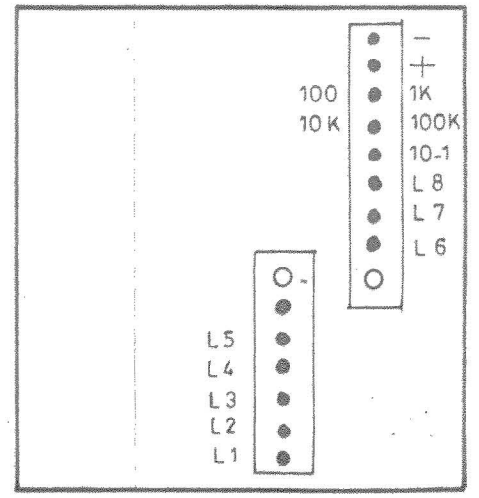


DISPLAYS 3rd

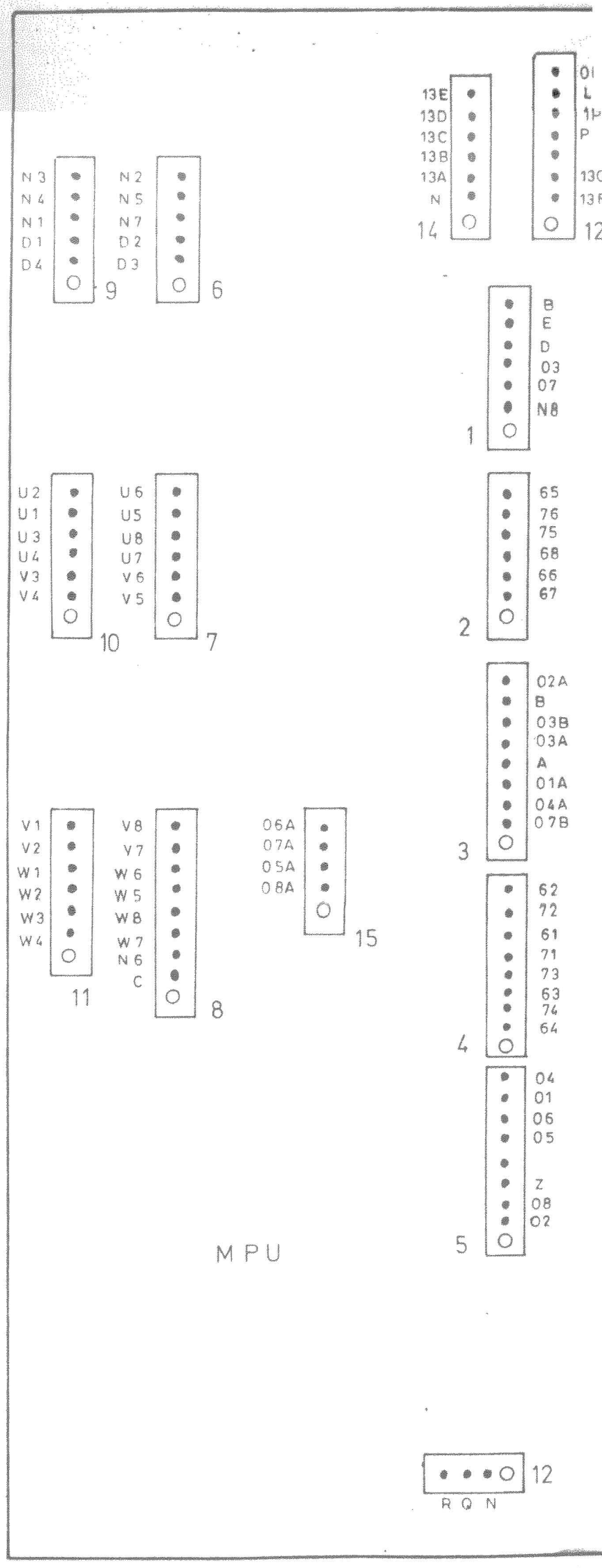


THYRISTORS

DISPLAYS 4th



CODE



MPU