
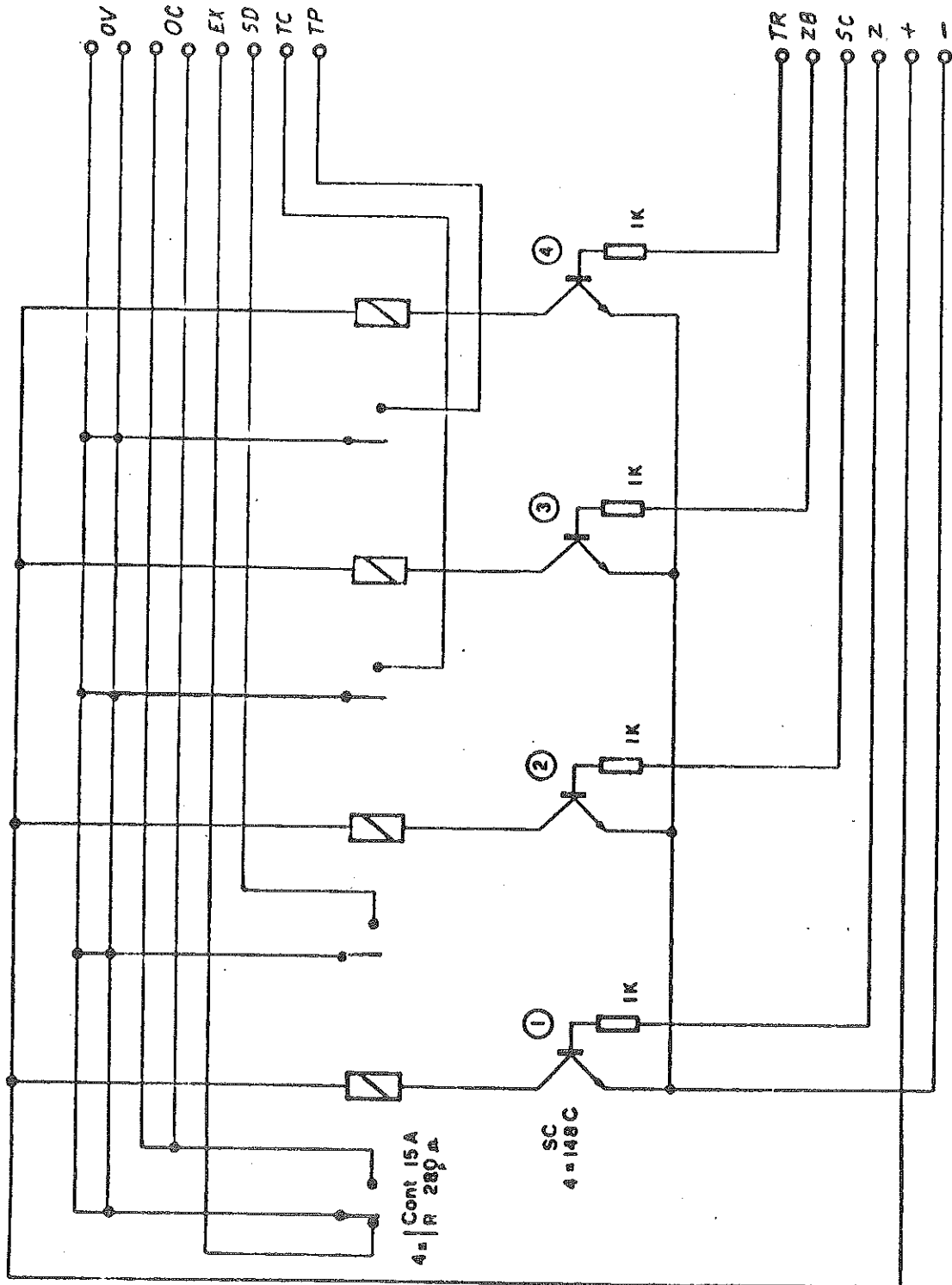


PLAYMATIC

PIN-BALL MACHINE
RELAYS CONTROL BOARD SCHEMATIC

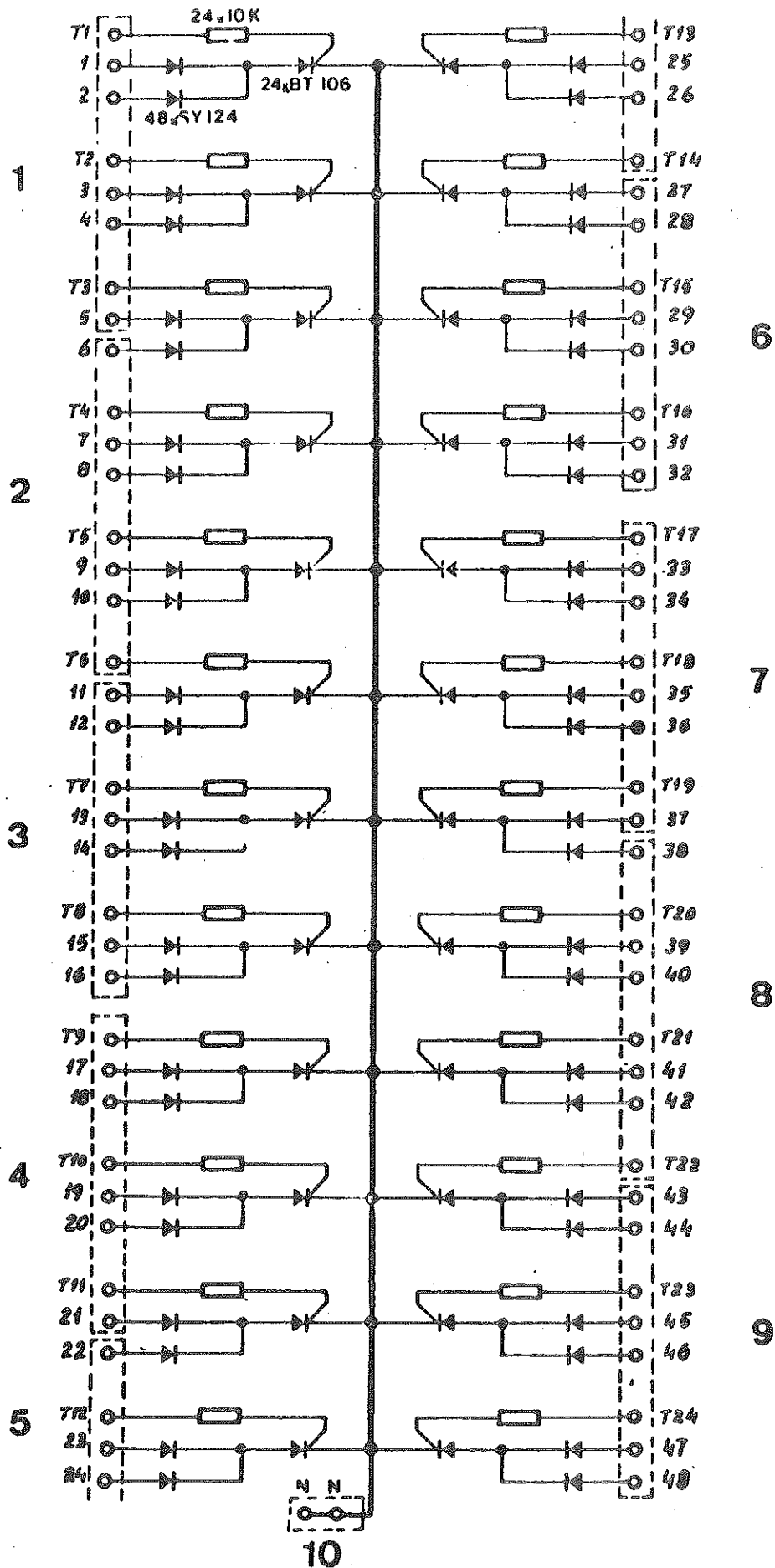
DIBUJADO 
COMPROBADO



PLAYMATIC


PIN-BALL MACHINE
THYRISTORS
CONTROL BOARD SCHEMATIC

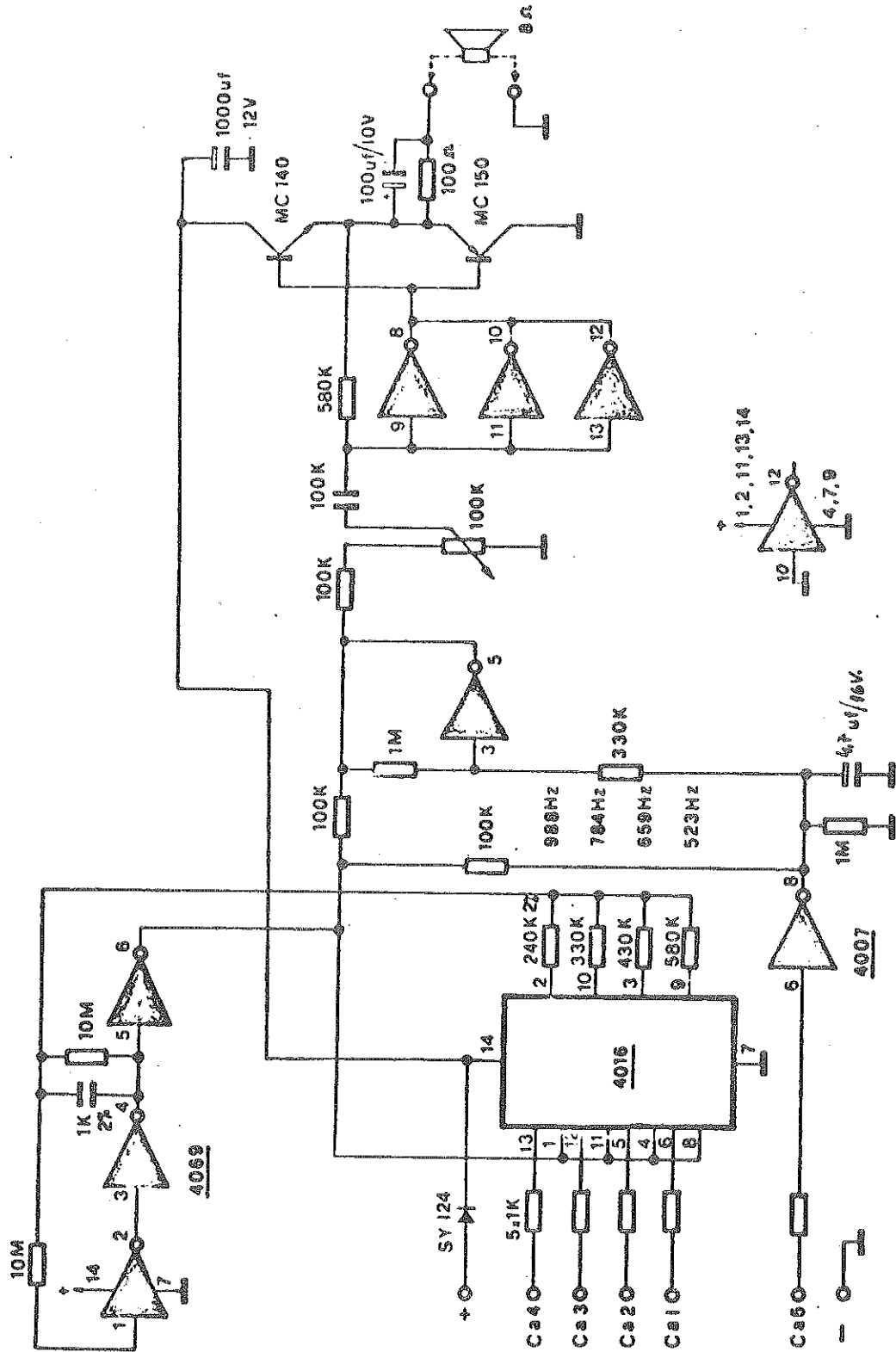
DIBUJADO &
COMPROBADO



PLAYMATIC

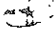
PIN-BALL MACHINE
SOUND
CONTROL BOARD SCHEMATIC

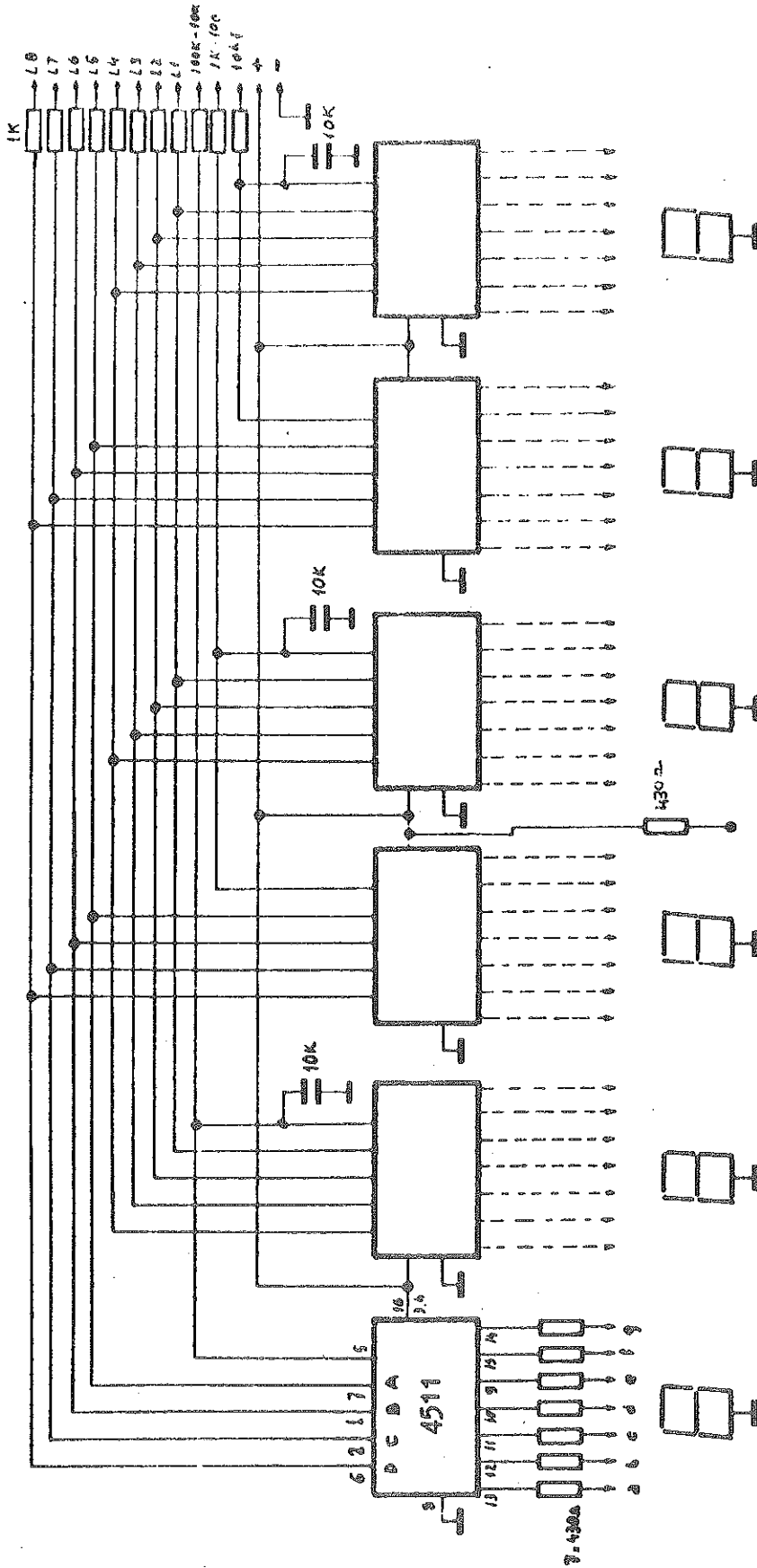
DIBUJADO 
COMPROBADO



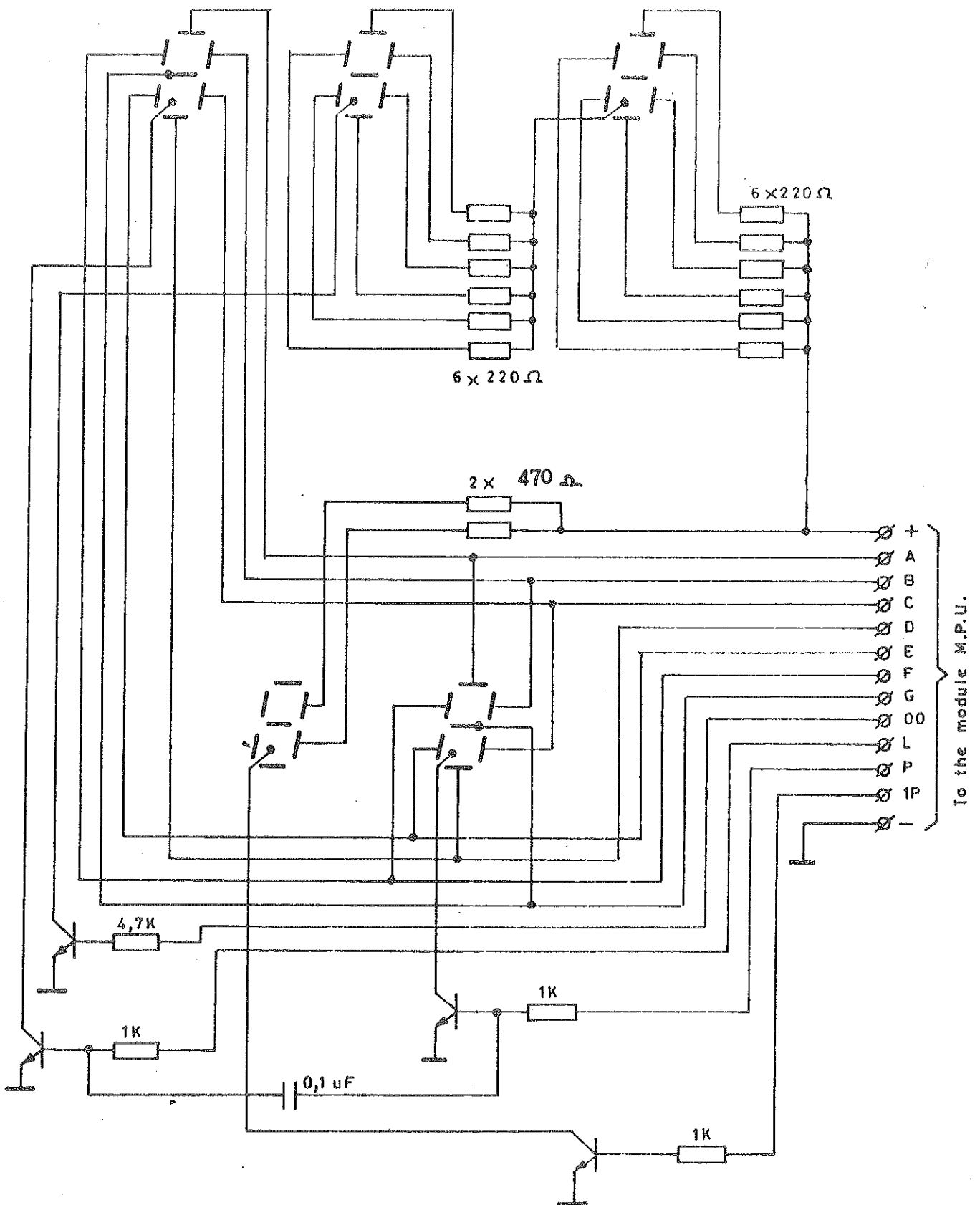
PLAYMATIC

PIN-BALL MACHINE
DISPLAY DRIVER ASSYS.
CONTROL BOARD SCHEMATIC

DIBUJADO 
COMPROBADO



MODULE DRIVER MATCH & GAME DISPLAY



All transistors : 2N3794