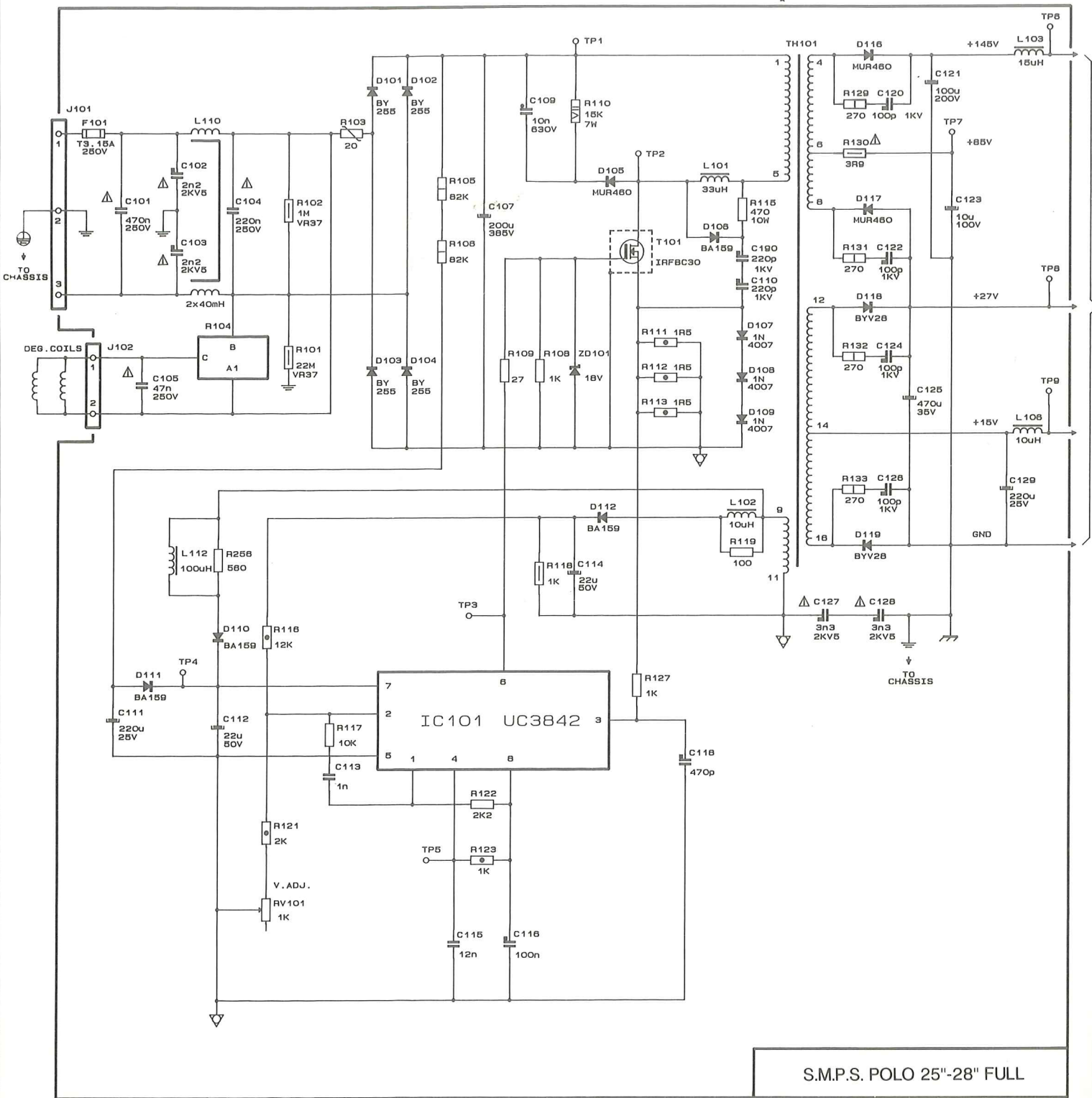
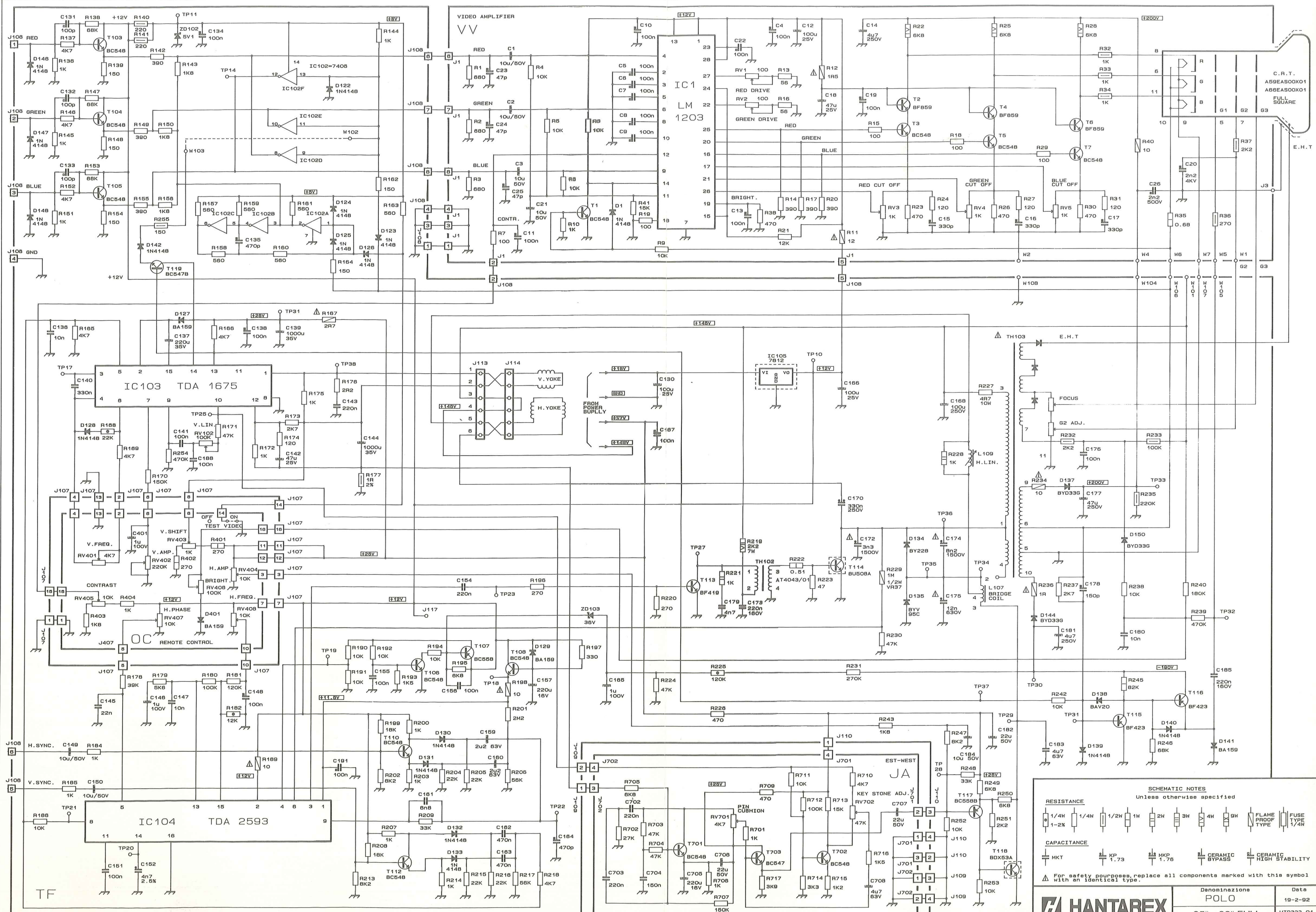




**MONITOR POLO 25'' - 28''
FULL**



S.M.P.S. POLO 25"-28" FULL



SCHEMATIC NOTES
Unless otherwise specified

RESISTANCE
 1/4W 1/4W 1/2W 1W 2W 3W 4W 9W FLAME PROOF FUSE TYPE 1/4W

CAPACITANCE
 MKT KP 1.73 MKP 1.76 CERAMIC BYPASS CERAMIC HIGH STABILITY

For safety purposes, replace all components marked with this symbol with an identical type.

